



EWMOUNTU-LPR



EWMOUNTU-LPR

Wall Mounting Bracket

Features

- Aluminum alloy material with surface spray treatment
- Rotatable soleplate, easy to adjust the camera viewing angle
- Wall mounting bracket for box cameras

Specifications

Model	EWMOUNTU-LPR
Material	Aluminum alloy
Color	White
Min. Packaging Quantity	54
Packing Size	90x120x300mm
Dimension	88x116.6x297.3mm
Net Weight	473g
Angle Adjustment	Pan: 360°; Tilt: -45°~45°
Load Bearing	The wall must be strong enough to withstand at least 3 times the weight of the camera and the bracket.
Working Temperature	-40°C~+60°C(-40°F~+140°F)
Working Humidity	10% ~ 90%

El Paso, Tx.

1630 E. Paisano Dr.
Zip. 79901, U.S.A.

Miami (Doral), FL.

8301 NW 27th St. #1.
Zip. 33122, U.S.A.

Miami, FL: (305) 889 - 1127

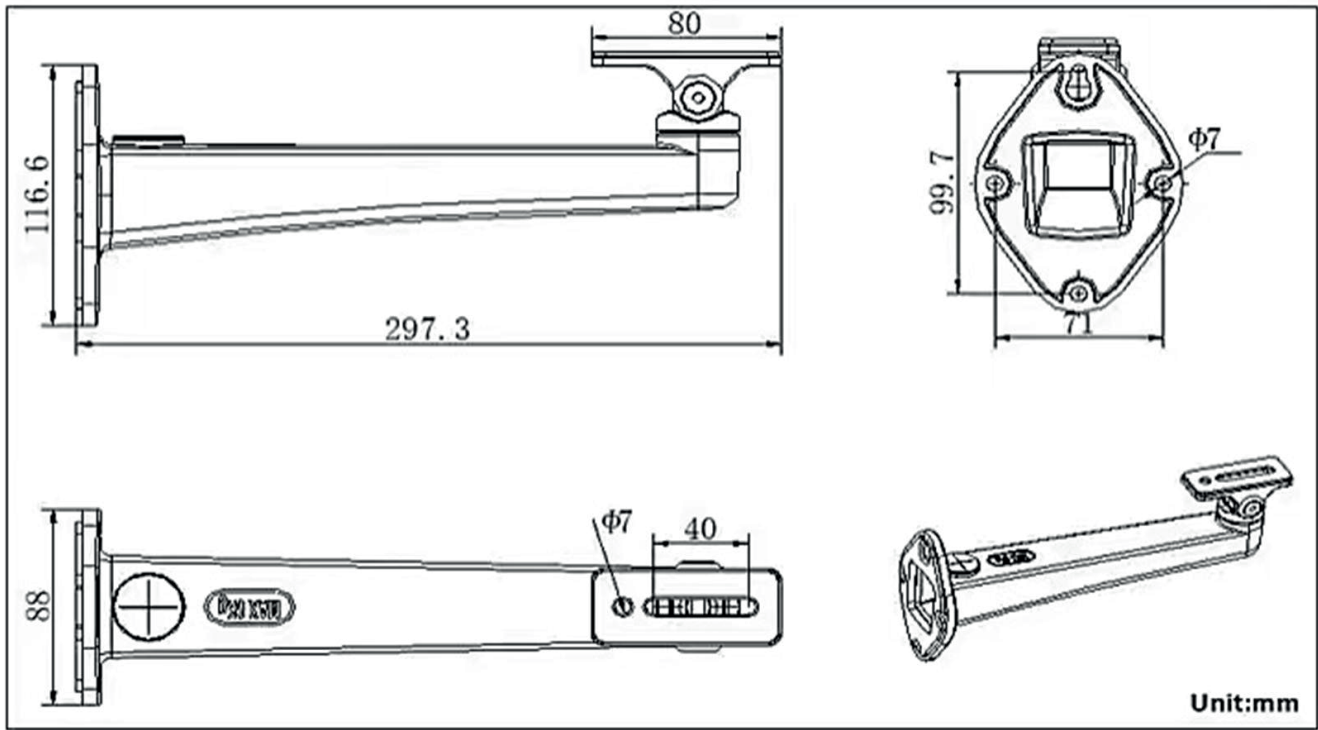
Website: <https://www.epcom.net>

El Paso, Tx: (915) 533 - 5119

E-mail: sales@epcom.net

EWMOUNTU-LPR

Dimensions



Unit:mm