



# XE86T-GEN3

Panoramic AI

## 8MP panoramic 180° full color turret camera



180 FOV



8MP



F1.1



Speaker



Micro Phone



Perimeter



VCA



PoE



IP67



IK10



## System:

Comparing to the XE86T-GEN3 series professional panoramic cameras, the XE86T-GEN3 is a fresh design that target to economical class level.

## Features:

### • High resolution with triple streams

Stitch dual 5MP video modules into one camera, providing great details, output max 7.37mega pixels and triple streams.

### • Less freight, quick deployment.

One MAC address, one housing, one bracket, one cable. Wire once, configure once and maintain one camera. Quick deployment saves installers 50% efforts. The panoramic has built-in bracket that could handle most indoor situations and also has rich accessories that could be chosen for outdoor mounting. In most case, it could just wire one RJ45 cable to PoE source device and no extra power adaptor required.

### • Large monitoring area without vertical blind area

Two 3.5mm lens with 5MP sensor, provide a large monitoring area, which can identify human face at 6.3m, recognize human face or license plate at 13m and observe human behaviors at 25m. Besides its 180° horizontal view, the vertical 65° view which provides no blind zone for a critical surveillance project, such as criminals or animals crossing window or side wall. One camera could cover a corridor at 4m(W)x10m(L) without blind area. Two pcs of such cameras, back to back installation, could cover a square about 20m (W)x20m(L) without blind.

### • Full color

Two F1.1 large aperture lens plus 2.2um big pixel sensor provide vivid, clean and clear image at most scenes. In pitch black environment, the warm light LEDs automatically turn on to provide skin, fur, hair and dress color information as court level evidence. The white LEDs support smart-light algorithm to automatically adjust their brightness according to ambient light, which avoid stimulus and complaints from neighborhood.

### • Multiple VCA functions.

Built-in deep-learning engine supports face, human and vehicle detection, classification and identification at real-time and the 1.5TOPS high computing power supports multiple VCA functions such as loitering, crowd density, perimeters, etc.

### • Built-in audio peripherals

The camera has built-in MIC and speaker, which could spare external audio devices in most cases. The build-in speaker could broadcast pre-defined warning voices immediately upon events happened and reach up to 30m distance.

### • ONVIF, API and SDK

Confirm Onvif specifications, interoperability between network video products, regardless of manufacturer.

### • Rich Interfaces

External TF/Micro-SD Card, Alarm and Audio interface, further extend device capacities as needed.

### • Strong protection

This camera has full metal housing, IP67 water ingress, IK10 vandal-proof, 6KV lightning protection which is suitable for 7x24Hours indoor and outdoor harsh weather working.

### • Data protection & Regulations

This camera is enhanced data and privacy protection, such as secure boot, web log, strong password, digest signature and authorization, HTTPS, SSL, TLS1.2 protocols, which are compliant with NDAA and other major regulations.

## Application:

High-level surveillance application of area intrusion, perimeter protection, which requires no blind zone and full color for 24Hour, such as jail, bank, jewelry store, medicine store, financial office, chemical lab. Suggestion installation height: 3m



# XE86T-GEN3

Panoramic AI

## SPECIFICATION:

<b>Camera Module</b>					
Image sensor	1/2.5" progressive scan CMOS sensor, x2pcs				
Max resolution	4096x1800(stitching mode)				
Mini. Illumination	Color: 0.005Lux @ (F1.1, IRE 50); B/W:0.0005 Lux@ (F1.1, IRE 50); 0 Lux with white LED				
Image setting	Saturation, Brightness, Contrast, Sharpness, AGC, etc. adjusted by client				
Shutter Speed	50Hz: 1/25 s – 1/25,000 s; 60Hz: 1/30s-1/30,000s				
White Balance	Auto/Manual/Indoor/Outdoor				
Gain control	Auto/Manual				
Day & Night control	Auto/Manual, time schedule				
Iris control	Auto/Manual				
SNR	≥52dB				
3D DNR	Auto/Manual				
AE Enhancement	BLC, HLC, DWDR				
Digital zoom	8x				
Electrical Stabilizer	N/A				
Optical Defog	N/A				
Privacy Mask	Eight areas, up to eight masks in the same frame				
Picture overlay	Logo picture could be overlaid on video with 128x128pixels,24bits JPG format				
OSD overlay	max fifteen characters/line, eight lines, white or red font color				
Angle Adjustment	Vertical -5~+5 °; Rotation ±75 °				
<b>Lens</b>					
Focus Type	f=3.5mm, M12 mount, optical distortion <15%; x 2 sets.				
Aperture	Fixed, F1.11				
IRCUT type	Fixed, White light pass only				
DORI distance	Focus length	Detect(25px/m)	Observe(63px/m)	Recognize(125px/m)	Identify(250px/m)
	f=3.5mm	63.65m (295 f.t.)	25.26m (117 f.t.)	12.73m(39 f.t.)	6.36m(29.5 f.t.)
<b>Panoramic</b>					
Stitching FOV	Horizontal FOV:180 °±5%; Vertical FOV: 65 °±5%				
Stitching Method	Alpha-Blending				
Working range	Best stitching mode work distance is from 1m to 10m. When out of this range, there may slight gaps.				
<b>Supplement light</b>					
Distance	Warm white light 20m (65.6 f.t.)				
Smart Brightness	Yes, facial priority				
<b>Video codec</b>					
Mainstream	50Hz:(4096x1800, 3840x1680,2880x1264,1920x1080,1280x720) 20fps; 60Hz:(4096x1800, 3840x1680,2880x1264,1920x1080,1280x720) 20fps				
Sub stream	50Hz: (1280x720, 704x576, 640x240) 20fps; 60Hz: (1280x720, 704x480, 640x240) 20fps				
Third Stream	50Hz:(1280x720,704x576, 640x240, 480x240 )25fps; 60Hz:(1280x720,704x480, 640x240, 480x240 )30fps				
Video compression	Smart H.265+/H.265/H.264+/H.264/MJPEG				
H.264 Standard	H.264/AVC codec BP/MP/HP, Level 5.1				
H.265 Standard	H.265/HEVC codec MP, level 5.0				
Video Bit Rate	64 Kbps to 16Mbps				
<b>Audio module</b>					
Microphone	One built-in microphone, Omnidirectional ,2KΩ, -36dB@1KHz Sensitivity, THD 115dB SPL@1KHz				
Speaker	One built-in speaker, 4Ω, 2W Nom,750Hz LFR, 100dB@0.1m				
Predefined voice	Support customized predefined voice track. Max 10 tracks. One way talk.				
<b>Audio codec</b>					
Audio compression	G.711 A/U				
Audio Bit Rate	64K bps				
<b>Network</b>					
Protocols	HTTP, HTTPS, IPv4/IPv6, 802.1x, QoS, FTP, SMTP, UPnP, SNMP, DNS, DDNS, NTP, RTSP, RTCP, RTP, TCP/IP, UDP, DHCP, PPPoE, P2P, SSL/TLS				
User / Host	Up to sixteen users, three levels: Administrator, Advanced User and Normal User				



# XE86T-GEN3

Panoramic AI

Security Measures	User authentication (ID and PW), Host authentication (MAC address); HTTPS encryption, IEEE802.1x port-based network access control; IP address filtering, basic and digest authentication for HTTP/HTTPS, WSSE and digest authentication for Open Network Video Interface, RTP/RTSP over HTTPS, security audit log, TLS 1.2
API	ONVIF G/S/T, support SDK and third-party management platform
Client	NVR1.4.10, NVMS 2.0; and the third-party client, free iOS, and Android App
Web Browser	IE8-11 with plug-in; Edge, Chrome, Firefox with plug-in free
<b>Events</b>	
Basic event	Motion detection, video tampering alarm, alarm input, alarm output, exception (Network disconnected, IP address conflict, SD full, SD error)
Smart event	Line crossing detection, intrusion detection, region entrance detection, region exiting detection (ver5.1.1)
Alarm Linkage	Alarm actions, Memory Card Video Record, Trigger Recording, Notify Surveillance Center, Upload to FTP/Memory Card, Send Email, etc.
<b>Deep learning function</b>	
Face capture	Detecting multiple faces in the same scene. Outputting the best face snapshots by precise detecting, capturing and grading moving faces.
Face comparison	(Default off) Yes
Perimeter protection	Line crossing, Intrusion, Region entrance, Region exiting. Support alarm triggering by specified type. (ver5.1.1)
Meta information	N/A
<b>Road-traffic and vehicle detection</b>	
Road traffic	Support vehicle detection and capture(ver5.1.1).
Road Statics	N/A
<b>System Integration</b>	
Alarm Interface	1 Alarm input (Dry contact); 1 Alarm output
Aux. audio interface	1ch LINE IN, 2.0-2.4Vpp, impedance 1KΩ; 1ch LINE OUT, impedance 600Ω
Network Interface	1 RJ45 10M/100M Adaptive Ethernet
SD Card Slot	One MicroSD slot and chamber, up to 256G
RS 485	N/A
Aux. video interface	N/A(BNC/CVBS/TVI)
Reset button	Yes
Heater & Fan	N/A
Frost removal	Desiccant, vacuuming
Water removal	Lotus anti-water lens cover coating
<b>General</b>	
languages	Czech; English, German; Hungarian; Italian; Japanese; Korean; Portuguese, Polish; Russian, Romanian, Spanish; Spanish (Mexico); Simplified Chinese; Turkish; Traditional Chinese, etc.
Power consumption	Avg. 4watt. Max 12watt. (speaker on+ white light on)
Power supply	DC12V ±15% 1500mA. Or PoE (802.3.af, class 1), not same time
Working condition	Day: -40 °C~55 °C (-40 °F ~ 131 °F); Night: -40 °C ~40 °C; Cold start>=-30 °C (1 hour waiting);90%RH
Storage condition	-40°C ~ 70°C; ≤ 95% RH
Housing Material	Main-body: Aluminum Alloy (ADC12); Lens Cover: Polycarbonate
Weight& Dimensions	Approx. 1.3 Kg (2.86 lb.), Ø154mm x 145mm (Ø 6.06-inch x 5.7 inch)
<b>Approval</b>	
EMC	FCC SDoC (47 CFR Part 15, Subpart B). CE-EMC (EN 55032: 2015, EN 61000-3-2: 2019, EN 61000-3-3: 2013, EN 50130-4: 2011+A1: 2014). KC (KN 32:2015, KN 35: 2015)
Certification	CB (IEC 60950-1:2005 + Am 1:2009 + Am 2:2013, IEC 62368-1:2014). CE-LVD (EN 62368-1:2014+A11:2017), BIS (IS 13252(Part 1):2010+A1:2013+A2:2015);
Environment	CE-RoHS (2011/65/EU); WEEE (2012/19/EU); Reach (Regulation (EC) No 1907/2006)
Protection	IP67(IEC 60529-2013), IK10 (IEC 62262:2002),6000V Lightning Protection, Surge Protection and Voltage Transient Protection

## Ordering information:

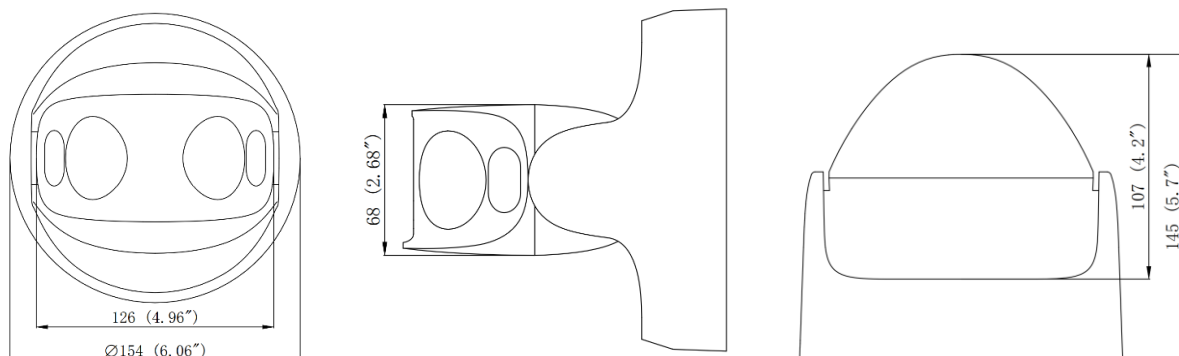
TD-6242E3N(A/PE/WR2)	8MP 180 °Panoramic Stitching Full-color Turret Camera. MIC &Speaker,IP67/IK10, DC12V/PoE,include fast mounting adaptor,not include 12V power adaptor.
----------------------	--



# XE86T-GEN3

Panoramic AI

## Dimensions(mm(inch)):



\* All pictures and texts are for reference only. Actual product may vary due to product enhancement.