

# User Manual

PROKEYPADSV2

**AccessPRO<sup>®</sup>**

# Specifications

**Operating Voltage:** 12 VDC

**Operating Current:** 60 mA (idle), 95 mA (operation)

**Operating Temperature:** -4 to 158°F (-20 to 70°C)

**Number of Users:**

- Output 1: 1000 (codes and/or cards) and 50 dummy codes
- Output 2: 100 (codes and/or cards) and 10 dummy codes

**Proximity Reader:** Standard 125KHz proximity reader

**Visitor Codes:** 50 visitor codes

**Relay Outputs:**

- Output 1: Energized relay output 3A/16VDC max.
- Output 2: Dry contact NC & NO, 1A/24VDC max.

**Dimensions:** 4.61 x 2.91 x 1.89 in (117 x 74 x 48 mm)

**Weight:** 0.44 lb (200g)

# Turning on the equipment

When turning on the equipment, it will emit a constant beep for 1 minute.

It is possible to stop the alarm by pressing:

1 2 #

## Entering programming mode

- To enter programming mode, press

0 0 0 0 \* \*

# Entering programming mode in case of forgetting the master code

- Disconnect the equipment for one minute.
- Turn the equipment back on.
- Press the request for exit button (connected between EG IN - GND).
- Press the code 2828 \*\*
- At this point, you are already in programming mode, the previous master code is deleted, you need to save a new master code.

**Note:** See "Master Code Change" procedure.

# Factory reset

- Enter programming mode.
- Press 9999 #
- The equipment will start flashing the amber LED.
- When finished, the equipment will emit a few beeps and the amber LED will remain steady.
- Press \*\* to exit programming.

# Master code change

- Enter programming mode.
- Press 01.
- Enter the new master code of 4 to 8 digits.
- Confirm by pressing #.
- Press \*\* to exit programming.

Example:

Programming master code 2233

0000 + \*\* + 01 + 2233 + #

# Superuser code

The superuser has two main functions, being able to activate either of the two outputs.

## Programming a superuser code

- Enter the programming menu
- Press 02
- Enter the 4 to 8 digit password
- Validate with #

Example:

Programming a superuser code 2580.

0000 + \*\* + 02 + 2580 + #

# User registration

User registration is based on the output they will activate, output 1 or output 2, and the verification method to be used, card, password, or card+password.

## Programming a user

- Enter programming mode.
- Enter the output to program (10 for output 1, 20 for output 2).
- Enter the verification mode (1 for Card, 2 for Password, or 3 for Card+Password).
- Enter the user ID (000 – 999 for output 1, 001 – 100 for output 2).
- Enter the password or swipe the card.
- Press # to accept
- Press \*\* to exit programming.

## Example:

- Register a user (ID xxx) in group 1 with password:  
0000 + \*\* + 10 + 2 + xxx + 1234 + # + \*\*
- Register a user (ID xxx) in group 1 with a card:  
0000 + \*\* + 10 + 1 + xxx + Pasar tarjeta + # + \*\*



# Deleting a user

- Delete a password
  - Enter programming mode.
  - Press the code for the output where the password will be deleted (10 for output 1, 20 for output 2)
  - Press 5.
  - Enter the user ID (xxx).
  - Press # to accept.

0000 + \*\* + 10 + 5 + xxx + #

- Delete a card
  - Enter programming mode.
  - Press the code for the output where the password will be deleted (10 for output 1, 20 for output 2)
  - Press 5.
  - Swipe the card
  - Press # to accept

0000 + \*\* + 10 + 5 + swipe card + #

- Delete all users from an output
  - Enter programming mode.
  - Press the code for the output where the password will be deleted (10 for output 1, 20 for output 2)
  - Enter 0999
  - Press # to accept

0000 + \*\* + 10 + 0999 + #

# Visitor registration

Visitors can only activate output 1.

- Program a visitor code.
  - Enter programming mode.
  - Type 40.
  - Enter the visitor ID (01 – 50).
  - Validity period (00 or 01 - 99).
  - Enter the 4 to 8 digit password.
  - Press # to accept.
  - Press \*\* to exit programming.

## Example:

0000 + \*\* + 40 + 01-50 + 00,01-99 + password + #

## Note:

- 00: Single-use password.
- 01 – 99: Time validity in hours.

# Relay activation time

- Enter programming mode
- Press which of the two outputs will be modified (51 for output 1 and 52 for output 2).
- Select how much time will be configured (0: ON/OFF, 1-99999 seconds)
- Press # to accept the changes.

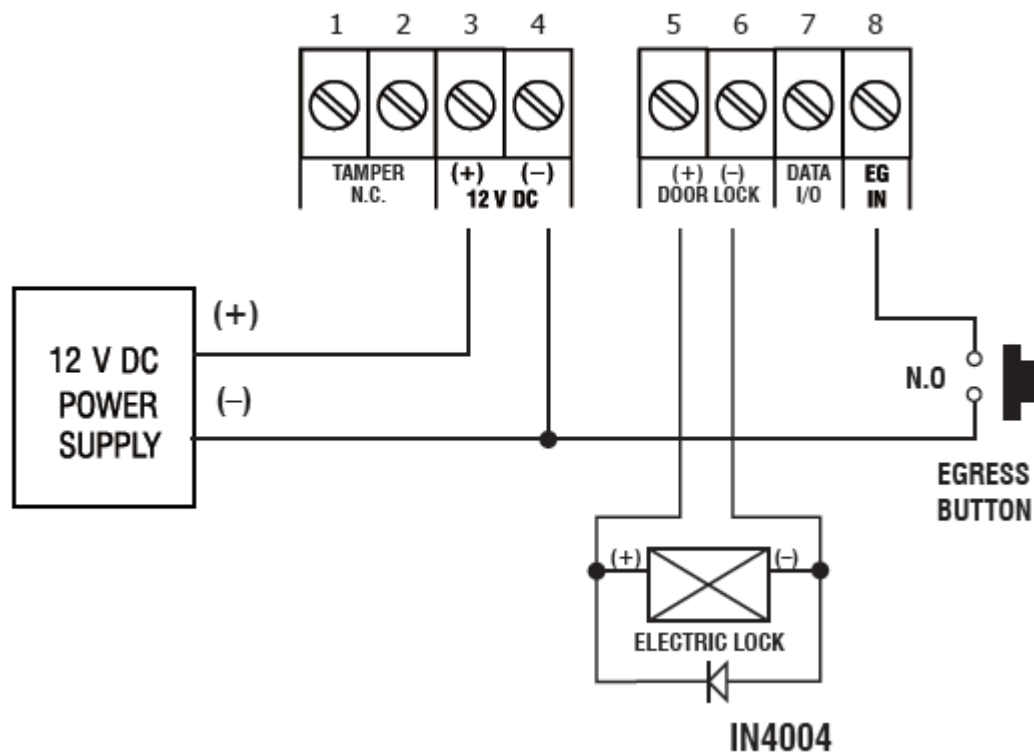
## Example:

Configure the activation time of relay for output 1 to 5 seconds.

0000 + \*\* + 51 + 5 + #

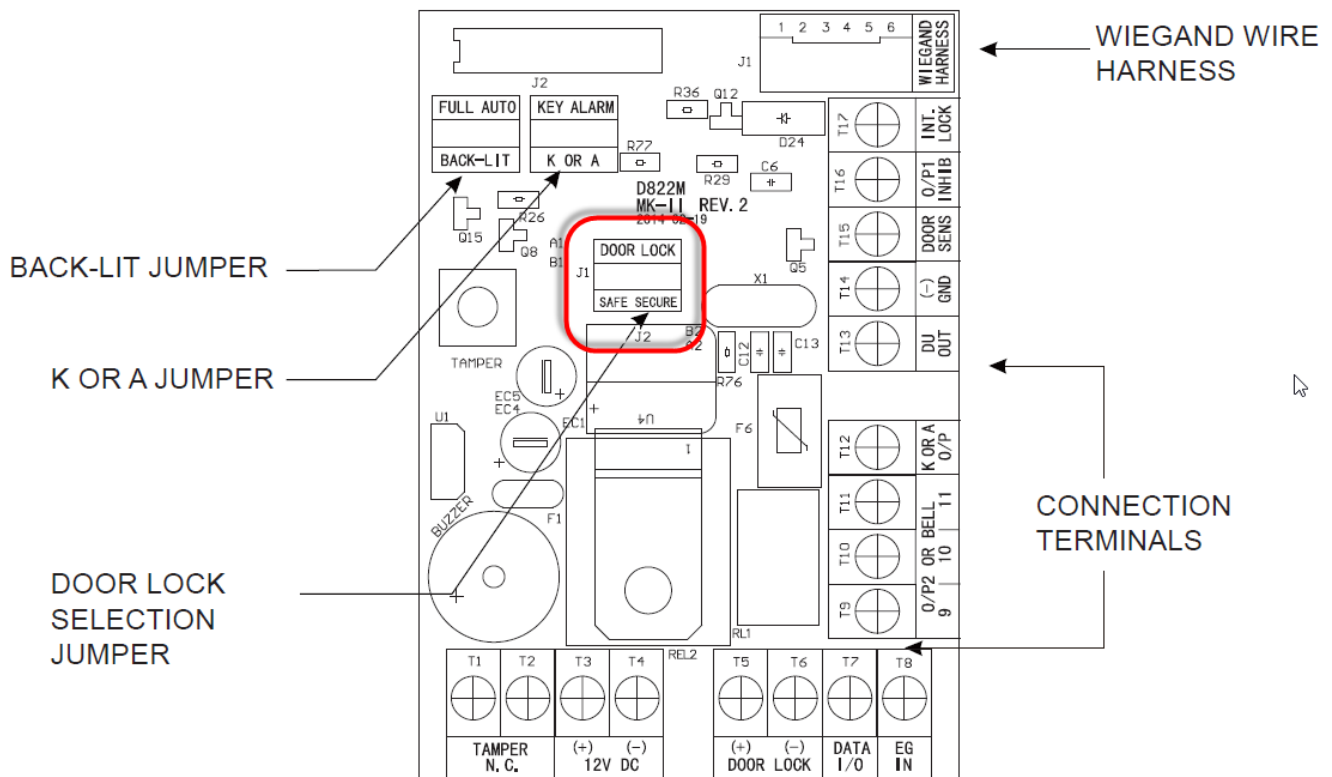
# Connection

- The equipment has an energized relay output, it is a 12VDC output.



# Changing the state of relay output 1

- This change is made using Jumper J1 on the keyboard board.



*Access***PRO**<sup>®</sup>

The background is a solid blue color. A vertical line runs down the center of the page. To the left of this line, there is a pattern of thin, parallel white lines that are slanted diagonally from the bottom-left towards the top-right. To the right of the vertical line, there is a pattern of thin, parallel white lines that are vertical.